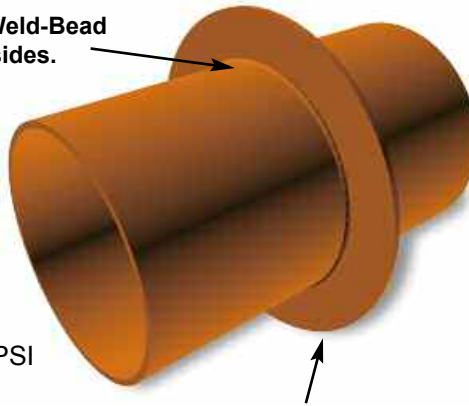


WS Steel Wall Sleeves

WS Wall Sleeves are constructed from steel and available in a wide range of diameters and lengths. They are an excellent choice for installations where the Link-Seal® Modular Seal and WS sleeve assembly would be subject to extremely high temperatures or where fire seals are specified.

Continuous Weld-Bead
on both sides.



2" Steel Water Stop

How To Order

Please see Page 25 for ordering information on Link-Seal® modular seals and WS Steel Sleeves. For diameters larger than 24", contact PSI at 1-800-423-2410

WS Steel Wall Sleeve Specification

Provide WS Steel sleeves for all pipes passing through concrete or masonry structures. The WS Sleeves shall be provided free of welding slag. WS Steel Sleeve sizes though 10" shall be Schedule 40 Steel Pipe or standard wall thickness. WS Steel Sleeve sizes 12" and larger shall have a .375" or standard wall thickness. WS Sleeves through wall shall be cast in place and the pipe shall be installed centered in sleeve. The 2" collar, (water-stop) shall be the same type of steel as the WS sleeve. The collar shall be welded all around on both sides to the

Model WS (12" length)

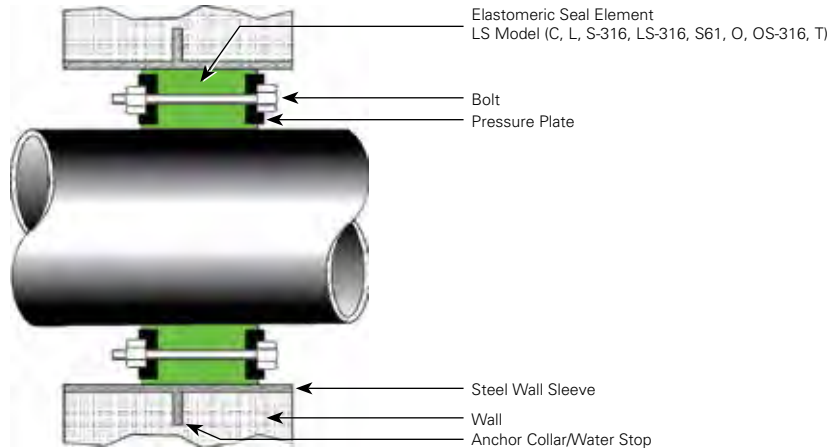
MODEL	I.D.	lbs.	Kg.
WS-2-15-S-12	2.07	5.53	2.51
WS-2-1/2-20-S-12	2.47	7.91	3.58
WS-3-21-S-12	3.07	9.93	4.51
WS-3-1/2-22-S-12	3.55	11.70	5.31
WS-4-23-S-12	4.03	13.61	6.17
WS-5-25-S-12	5.05	17.91	8.12
WS-6-28-S-12	6.07	22.73	10.31
<u>ws</u> -6-18-S-12	6.25	14.82	6.72
<u>ws</u> -8-32-S-12	7.98	33.55	15.22
<u>ws</u> -8-18-S-12	8.25	21.94	9.95
WS-10-36-S-12	10.02	46.12	20.92
<u>ws</u> -10-25-S-12	10.25	33.67	15.27
WS-12-37-S-12	12.00	60.14	27.28
WS-14-37-S-12	13.25	62.04	28.14
WS-16-37-S-12	15.25	71.04	32.22
WS-18-37-S-12	17.25	79.98	36.28
WS-20-37-S-12	19.25	90.00	40.82
WS-22-37-S-12	21.25	98.00	44.45
WS-24-37-S-12	23.25	107.00	48.53

Note: ws rolled sleeves (6" & 8") = .1875" wall thickness; (10") = .25" wall thickness. Intermediate sleeves available, model information on-line in a pdf file.

sleeve at the point on the sleeve that positions it at the mid-point of the structural wall when the sleeve is in place. The WS Steel Sleeve w/water-stop shall be primed inside and outside with Sherwin Williams Water Base Red Primer or approved equivalent.

Product Ordering Code

LINK-SEAL® MODULAR SEALS WITH MODEL WS WALL SLEEVES



Link-Seal® Model No. Example

LS - 400 - C - 10

Link-Seal® _____
Size _____
Model _____
No. of Links _____

Steel WS Sleeve Model No. Example

WS - 14 - 25 - S - 12

Wall Sleeve _____
Sleeve Nominal _____
Steel Wall Thickness _____
Steel _____
Length in Inches _____